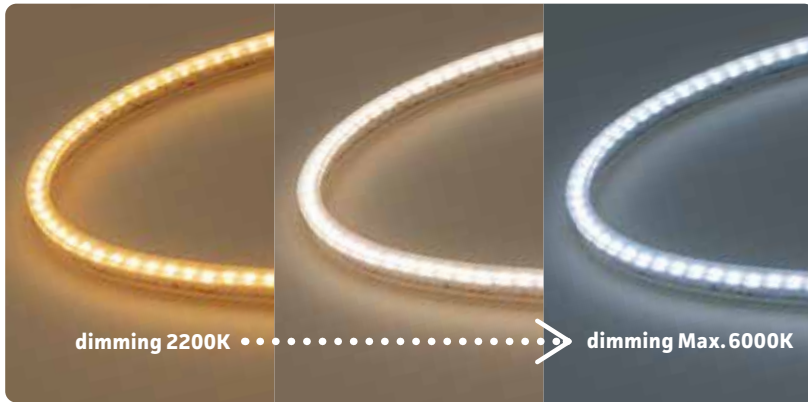


LONG SILICONE LIGHT DUO INDOOR (Tunable White)

NEW



KEY FEATURES AND BENEFITS

- **Flexible LED Strip with side-Bend**
- **Adjustable CCT range : 2200K~6000K**
- **Max length : 5026mm**
- **Customizable 88 different lengths**
- **LEDs sealed by silicone case**
- **Installation :** See ACCESSORIES for options on mounting channels.
- **Environment :** Interior, dry location use only. Equivalent to IP40 rated.
- **Power and Control :** DMX-512, DALI on/off, and dimming control options. Contact factory for more information.

ORDERING

| PRODUCT No. | LENGTH |
|---------------------|------------------------|
| GM-TU | 5026.0 |
| 1 PRODUCT | 2 LEAD WIRES |
| | 3 LENGTH |

| 1 | PRODUCT |
|--------------|--|
| GM-TU | Long Silicone Light Duo Indoor (Tunable White) |
| 2 | LEAD WIRES |
| - | Lead wires at one end. |
| W | Lead wires at both ends. |
| 3 | LENGTH |
| | See length ordering guide. |

PRODUCT SPECIFICATIONS

| | |
|------------------------------|--|
| LED | (108+108) LED/m |
| LED PITCH | 9.5 mm |
| 2200K | 690 lm/m |
| 6000K | 880 lm/m |
| INPUT | 24VDC |
| WATTS | 17 W/m (2200K : 8.5W/m, 6000K : 8.5W/m) |
| WIDTH¹ | 11 mm |
| HEIGHT¹ | 18 mm |
| LENGTH² | 67 mm ~ 5026 mm |
| WEIGHT | 135 g/m |
| BEAM ANGLE | 100° |
| TRIM POINTS | Every 57 mm |
| Max Unit Connectable | 5m (5026 mm) |
| Bending Radius | R60 mm vertical |
| Operating Temperature | -10° to 40°C |

¹End cap is 14w x 21h mm. See DRAWINGS.
²See LENGTH ORDER GUIDE.

PRODUCT No.

| Standard | "W" Type ¹ | LED COLOR |
|--------------|-----------------------|--------------------|
| GM-TU | GM-TUW | 2200K/6000K |

※Please contact factory if you request other single color and color temperature.
¹"Lead wires at both ends" Type

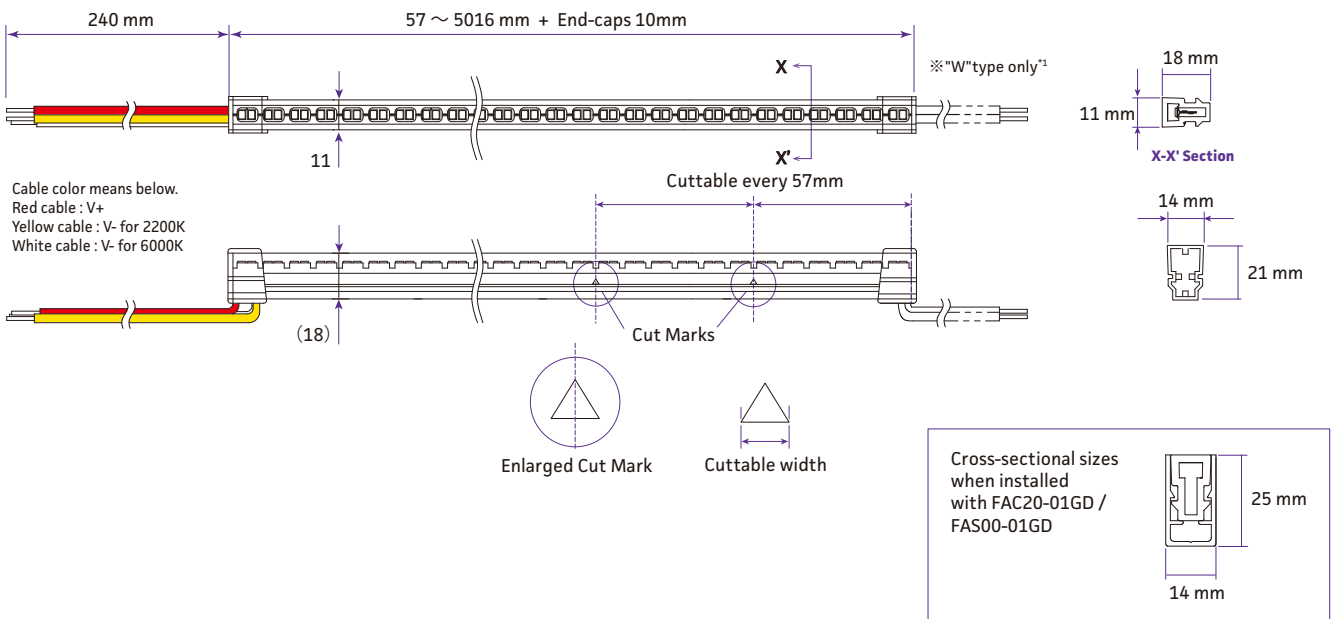
LONG SILICONE LIGHT DUO INDOOR (Tunable White)

NEW

LENGTH ORDER CODE GUIDE (LENGTHS INCLUDE END CAPS.)

| MM | MM | MM | MM | MM | MM |
|-----|------|------|------|------|------|
| 67 | 922 | 1777 | 2632 | 3487 | 4342 |
| 124 | 979 | 1834 | 2689 | 3544 | 4399 |
| 181 | 1036 | 1891 | 2746 | 3601 | 4456 |
| 238 | 1093 | 1948 | 2803 | 3658 | 4513 |
| 295 | 1150 | 2005 | 2860 | 3715 | 4570 |
| 352 | 1207 | 2062 | 2917 | 3772 | 4627 |
| 409 | 1264 | 2119 | 2974 | 3829 | 4684 |
| 466 | 1321 | 2176 | 3031 | 3886 | 4741 |
| 523 | 1378 | 2233 | 3088 | 3943 | 4798 |
| 580 | 1435 | 2290 | 3145 | 4000 | 4855 |
| 637 | 1492 | 2347 | 3202 | 4057 | 4912 |
| 694 | 1549 | 2404 | 3259 | 4114 | 4969 |
| 751 | 1606 | 2461 | 3316 | 4171 | 5026 |
| 808 | 1663 | 2518 | 3373 | 4228 | |
| 865 | 1720 | 2575 | 3430 | 4285 | |

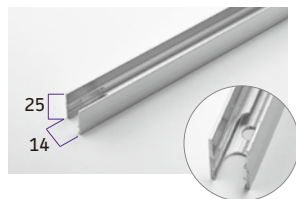
DIMENSIONS



ACCESSORIES¹

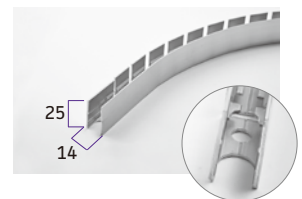
ALUMINUM CHANNEL FOR STRAIGHT LINE

- FAS00-01GD**
Rigid channel for straight line installations.
Weight : 200g
W x H x L : 14 x 25 x 1000 mm



ALUMINUM CHANNEL FOR FLEXIBLE LINE

- FAC20-01GD**
Flexible channel for curvy line installations.
Weight : 180g
W x H x L : 14 x 25 x 1000 mm



¹ Select one method for installation. These accessories are not used together. See INSTALLATION.